

Gate Valve

Type **11002** Onshore

Bronze Flanged Gate valve, PN16

Bronze body, screwed top work in brass/bronze and non-rising stem.

Flange connection acc. to EN 1092-3:2005 PN16 (=PN10), Flat Face Ra12.5



Available options:

Pos	Code	Description
X	-	Please see chart below
Z	-	Flange customization at request

Application

Suitable for transformer oil.
Onshore application.

Working temperatures and pressure

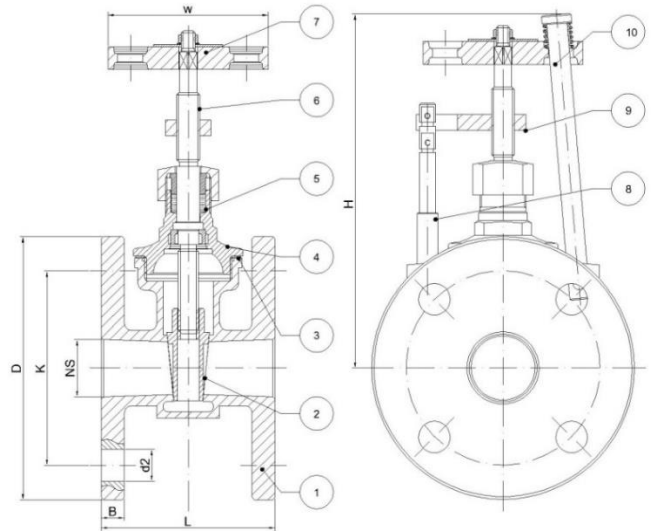
Up to max. 16.0 bar: -40°C to +180°C (PTFE Packing)
Up to max. 16.0 bar: -25°C to +180°C (Viton O-Ring)

Standards

Standard marking acc. to Pressure Equipment Directive 2014/68/EU (PED).
Pressure test acc. to EN 12266:2004 – Rate “A”.

Note

When requesting an offer or order, please indicate flow medium, working pressure and working temperature.



Description	DIN EN	ASTM	
1 Body	Bronze CC491K	B 62 UNS C83600	
2 Wedge	Bronze CC491K	B 62 UNS C83600	
3 Gasket	SILC 4400		
4 Bonnet	DN15 – DN50 DN65 – DN80	Brass CW614N Bronze CC491K	B 455 UNS C38500 B 62 UNS C83600
5 Packing	PTFE (Viton for DN65)		
6 Stem	Brass CW614N	B 455 UNS C38500	
7 Hand wheel	Aluminium (Red)		
8 Indicator	Brass CW614N	B 455 UNS C38500	
9 Slider	Bronze CC491K	B 62 UNS C83600	
10 Locking device	Brass CW614N	B 455 UNS C38500	

Description	Dimensions [mm]							
	DN	15	25	32	40	50	65	80
Nominal Diameter	DN	15	25	32	40	50	65	80
Size code	.X.	52	54	55	56	57	58	59
Handwheel – Ø	W	50	70	80	80	90	130	130
Face-to-face dimension	L	77	77	86	120	135	160	185
Width of flange*	B	8	10	12	11	13	16	15
Height	H	130	150	185	200	220	275	290
Flange diameter*	D	95	115	140	150	165	185	200
Distance between holes*	K	65	85	100	110	125	145	160
N° x holes diameter*	N°xd ₂	4x14	4x14	4x18	4x18	4x18	4x18	8x18
Max. Working Pressure	PN	16	16	16	16	16	16	16
Flange connect. DIN EN1092-3	PN	16/10	16/10	16/10	16/10	16/10	16/10	16/10
Weight (approx.)	Kg	1.5	2.8	4.2	4.9	7.5	-	13.1